

20v Cordless Compact Blower
User Manual and Operating Instructions
Item Number: 21511



SAFETY WARNINGS

IMPORTANT SAFETY RULES

When using this cordless blower, always follow basic safety precautions to reduce the risk of injury or damage.

Read all instructions before using this product.

General Safety

- This blower is not a toy. Do not allow children to use it.
- Use the blower only after reading and understanding these instructions.
- Keep bystanders, children, and pets at least 15 feet away while operating.
- Wear eye protection, hearing protection, and closed-toe footwear during use.
- Do not operate the blower in rain or wet conditions.
- Use the blower only in daylight or well-lit areas.
- Never point the air stream at people or animals.
- Do not operate the blower if it is damaged or not working properly.

Operating Safety

- Always maintain proper balance and footing.
- Never blow debris toward people, pets, or open windows.
- Do not block the air intake or blower outlet.
- Do not use the blower near flammable materials.
- Do not blow hazardous objects such as glass, nails, or metal fragments.
- Do not operate the blower upside down.
- Stop using the blower immediately if it makes unusual noise or vibration.

Battery Safety

- Use only the battery and charger supplied or approved by the manufacturer.
- Do not use a damaged or modified battery.
- Do not expose the battery to water, heat, or fire.
- Keep batteries away from metal objects such as keys, nails, or coins.
- Remove the battery before cleaning, servicing, or storing the blower.
- If battery fluid contacts skin or eyes, rinse with water and seek medical attention.

Charger Safety


- Use the charger indoors only.
- Do not expose the charger to rain or moisture.
- Do not handle the charger with wet hands.
- Unplug the charger before cleaning.
- Do not use a damaged charger or power cord.
- Keep the charger out of reach of children.

Battery charger Model number.	Battery pack	
	Model	Volt
8066-CHA	8066-BAT	100-240V AC,50/60HZ
<ul style="list-style-type: none"> Do not charge non-rechargeable batteries with this device. 		

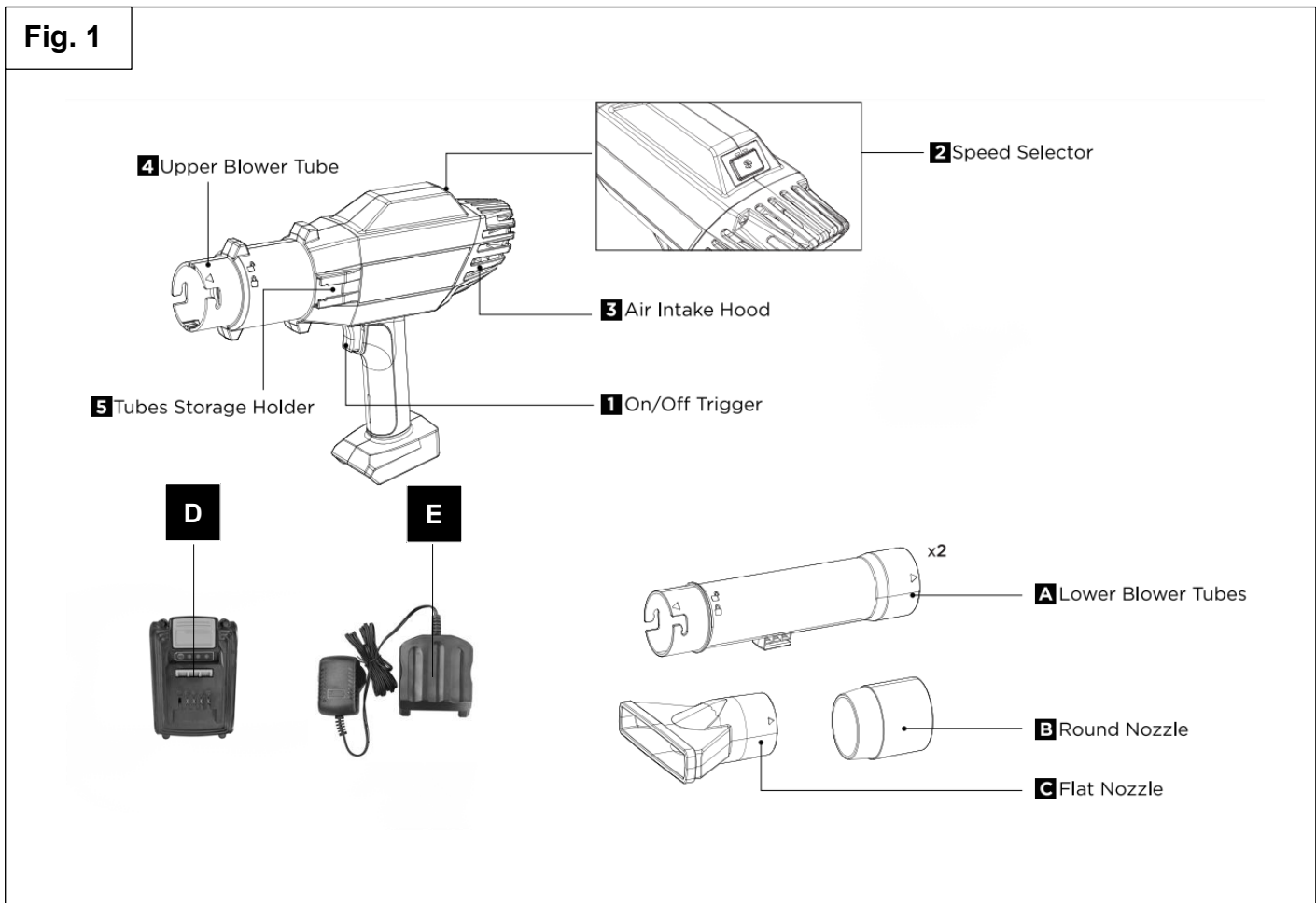
Symbols

Symbols in the operating instructions

The function of the control units can be found in the following descriptions

	Wear eye and ear protection.
	Wear a dust mask when needed.
	Do not expose to rain or damp conditions.
	Guaranteed sound power level.
	Recycle electrical products properly. Check with your local authority for recycling advice.
	Safety alert.
	Read instructions before use.
	Keep all bystanders, especially children and pets, a safe distance away from the operating area.

1. Description of parts (Fig. 1)



No.	Component	Quantity
1	On/Off trigger	1
2	Speed Selector	1
3	Air Intake Hood	1
4	Upper Blower Tube	1
5	Tubes Storage Holder	2
A	Lower Blower Tubes	2
B	Round Nozzle	1
C	Flat Nozzle	1
D	Battery Pack	1
E	Charger	1

2. Technical specifications

Model	21511
Power	500w
Battery pack Capacity	2.0 Ah
Rated Voltage	20V DC
Charging Time	3-5 hr
Brushless Motor speed	50000 rpm
Max Air Volume	270 CFM
Max Air Speed	125 MPH
Blowing Force	6.3 N
Noise Level	<90 dB
Vibration Level	3m/s ²

WARNING! Depending on the actual use of the product the vibration values can differ from the declared total. Adopt proper measures to protect yourself against vibration exposures. Take the whole work process including times the product is running under no load or switched off into consideration. Proper measures include among others regular maintenance and care of the product and accessories, keeping hands warm, periodical breaks and proper planning of work processes.

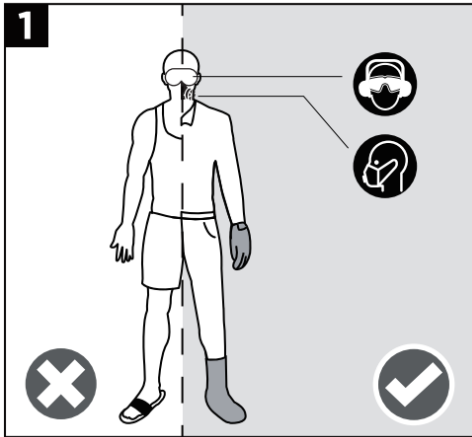
3. Before you start

1. Unpack all parts and lay them on a flat, stable surface.
2. Remove all packing materials and shipping devices, if applicable.
3. Make sure the delivery contents are complete and free of any damage. If you find that parts are missing or show damage do not use the product but contact your dealer. Using an incomplete or damaged product represents a hazard to people and property.
4. Ensure that you have all the accessories and tools needed for assembly and operation. This also includes suitable personal protective equipment.

WARNING! The product and the packaging are not children's toys! Children must not play with plastic bags, sheets and small parts! There is a danger of choking and suffocation!

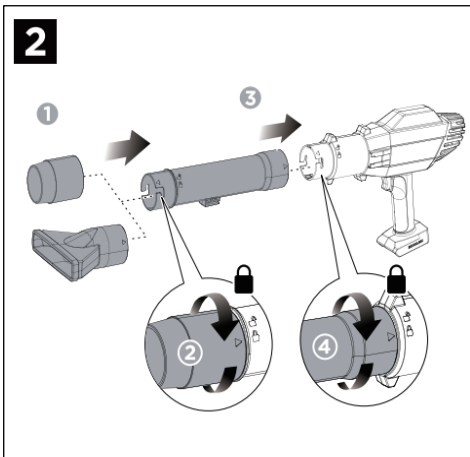
Assembly

Before using the product, read the entire instruction manual and familiarize yourself with the operating features.



- Wear eye and ear protection and an appropriate respiratory mask at all times while operating the product.

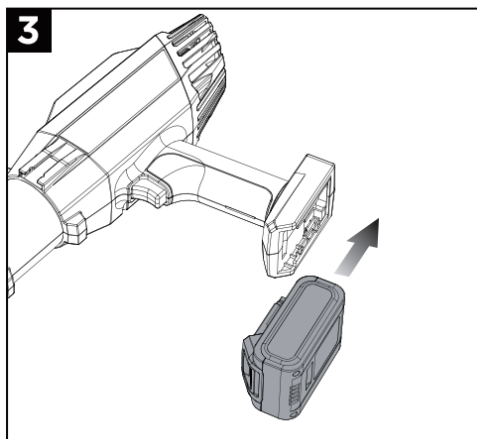
NOTE: Do not operate the product barefoot or while wearing open-toed sandals.



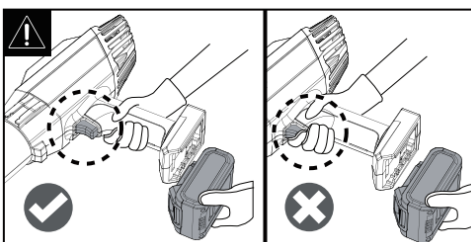
- Insert the round or flat nozzle into the lower blower tube and twist it clockwise until it locks into place.

- Insert the lower blower tube into the upper blower tube and twist it clockwise until secure.

- Additional tube configurations may be used as shown in section “Nozzle Assembly Replacement”

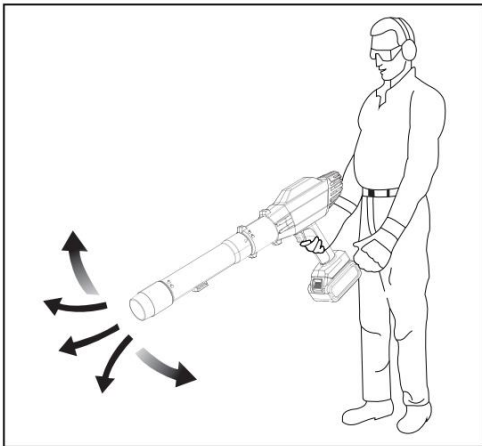


- Insert the battery pack until it clicks into place.



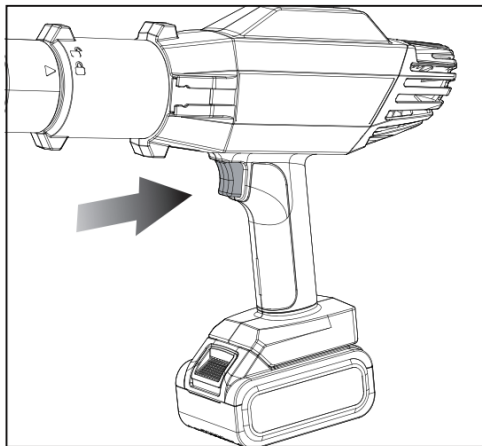
WARNING: Keep your hands away from the lock-out button and the on/off trigger when installing the battery pack to avoid accidental startup.

USING THE PRODUCT

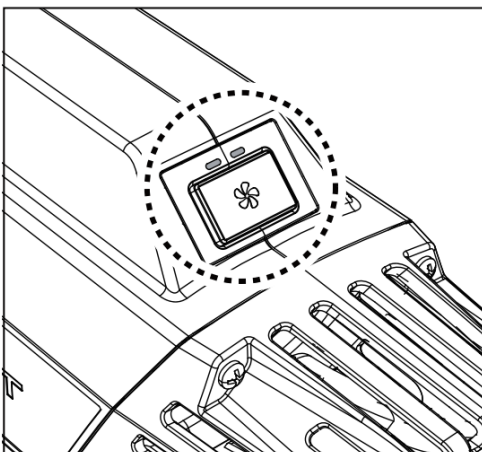


- Use the product only in the recommended position shown.

NOTE: Always hold the product by its designated handle.

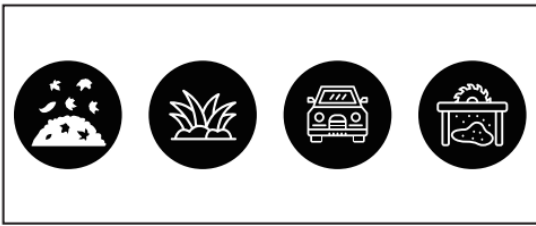


- Pull the switch trigger to turn on the product.
- The trigger has a locking function. Press it fully until you hear a click, and the product will keep running without holding the trigger.



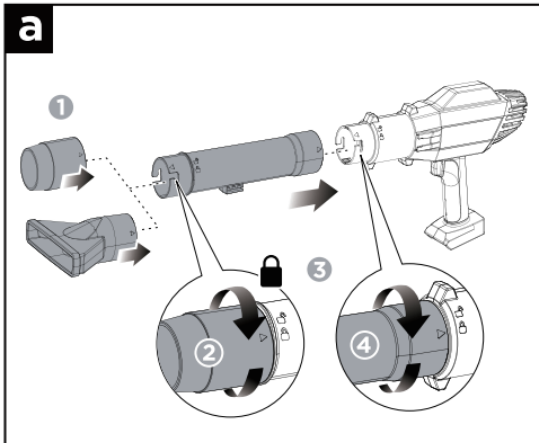
- Press the "Speed Selector" button to switch between high and low wind speeds. The indicator light shows the current gear.

NOZZLE ASSEMBLY REPLACEMENT

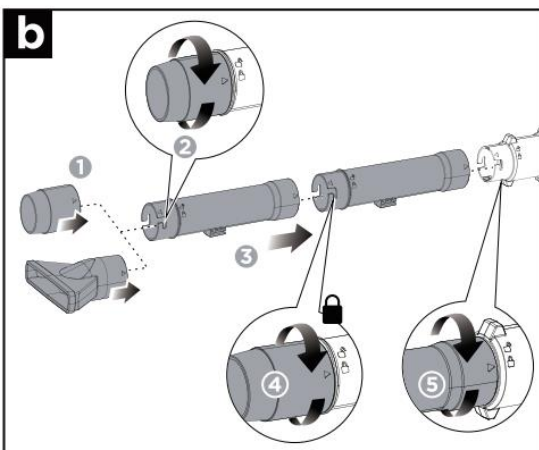


The product can be adapted to different environments by installing different accessories.

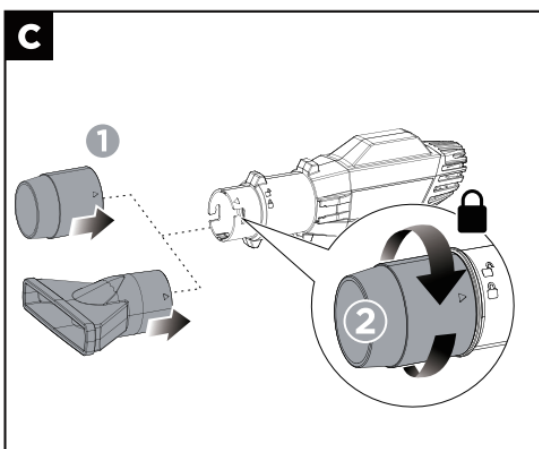
The following operations can be performed:



1. Insert the round or flat nozzle into the lower blower tube.
2. Turn the nozzle clockwise to secure it.
3. Insert the lower blower tube into the upper blower tube.
4. Turn the lower blower tube clockwise to secure it.



1. Insert the round or flat nozzle into the lower blower tube.
2. Turn the nozzle clockwise to secure it.
3. Insert this lower blower tube (with nozzle) into a second lower blower tube.
4. Turn the first lower blower tube clockwise to secure it.
5. Insert the second lower blower tube into the upper blower tube. Turn the second lower blower tube clockwise to secure it.



1. Insert the round or flat nozzle into the upper blower tube.
2. Turn the upper blower tube clockwise to secure it.

Charging the battery

1. Remove the battery from the machine. Press the battery release button (Fig.2/ Item A)
2. Slide the charging dock onto the battery as shown in the image (Fig.2) and plug the charger into a power socket. The red light (Fig.3/Item A) on the plug will turn on to indicate charging is underway.
3. The charger will stop charging once the battery is fully charged (after approximately 3-5 hours). Press the red button (Fig.3/Item C) on the battery to check the current charge level. Turn off the power source and remove the battery from the charger.

Battery capacity indicator




Press the switch (Fig.3/Item C) for the battery capacity indicator (Fig.3/Item B). The battery capacity indicator shows the charge status of the battery using 3 LEDs.

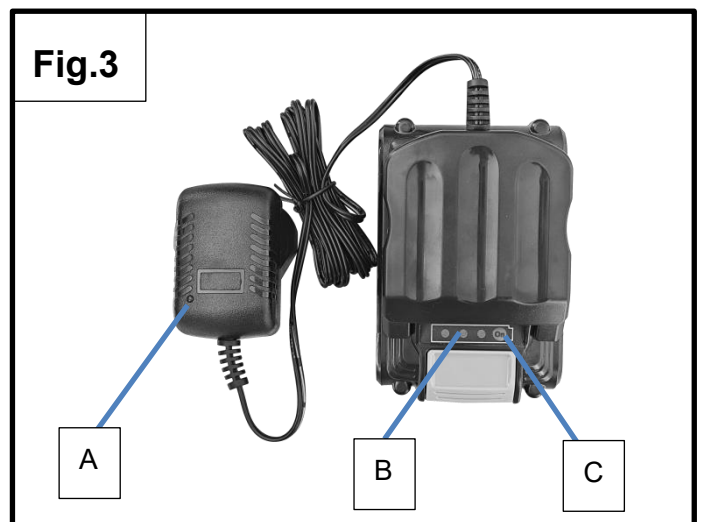
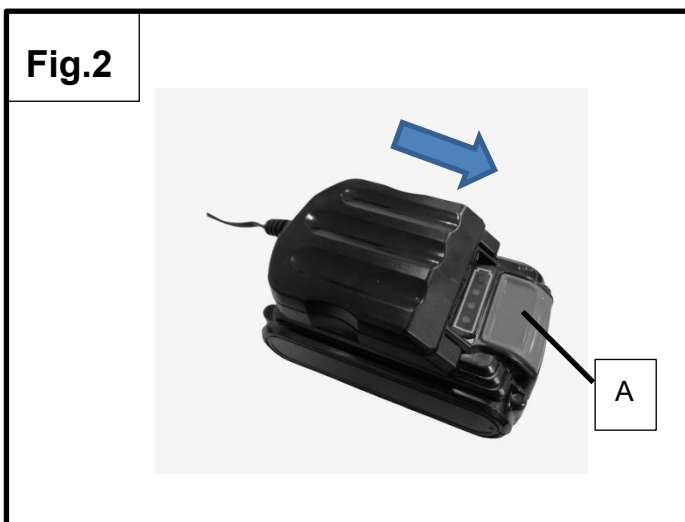
All 3 LEDs are lit: The battery is fully charged.

2 LED(s) are lit: The battery has an adequate remaining charge.

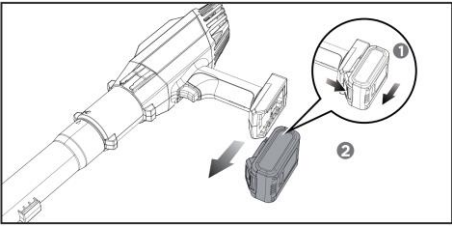
1 LED is lit: The battery will be empty soon, please recharge the battery.

The charger may become warm when charging; this is normal and does not indicate a fault with the charger.

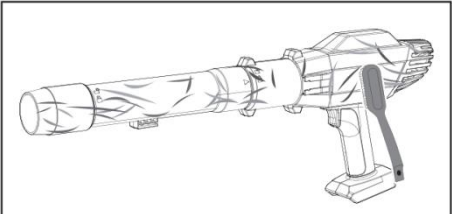
 	<p>WARNING! The product must be fully assembled before operation! Do not use a product that is only partly assembled or assembled with damaged parts!</p> <p>Follow the assembly instructions step-by-step and use the pictures provided as a visual guide to easily assemble the product!</p> <p>Do not connect the battery pack to the product before it is completely assembled!</p>
	<p>NOTE: Take care of small parts that are removed during assembly or when making adjustments. Keep them secure to avoid loss.</p>



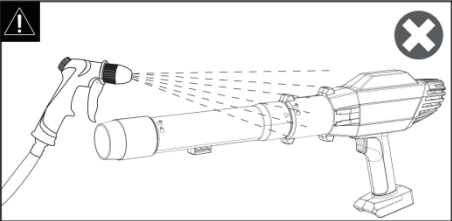
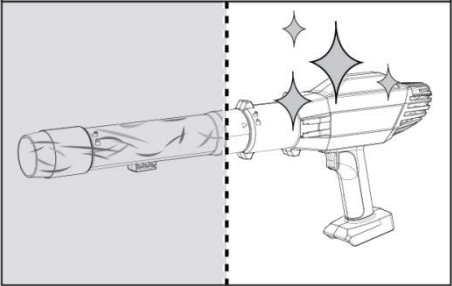
4. MAINTENANCE AND CLEANING



1. Press the battery release button and slide the battery pack out of the battery bay.

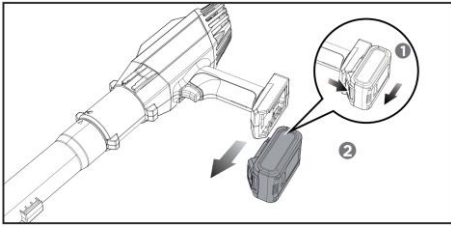


2. Clean the product with a soft, dry brush.

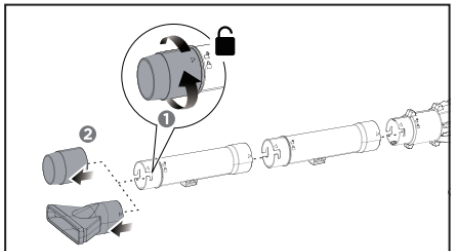


WARNING: Do not clean the product with water.

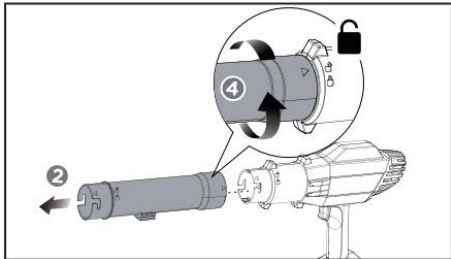
5. STORAGE



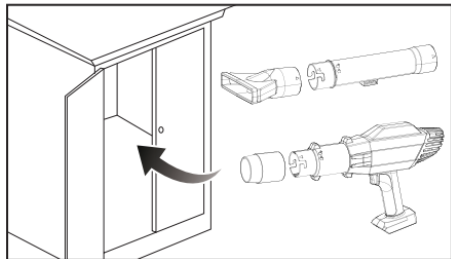
1. Press the battery release button and slide the battery pack out of the battery bay.



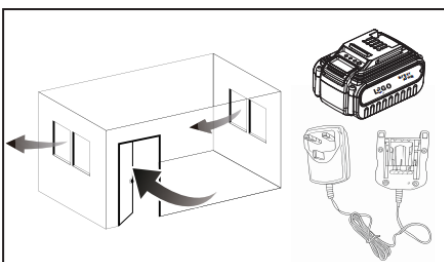
2. Remove the round or flat nozzle from the lower blower tube.



3. Remove the lower blower tube from the upper blower tube.



4. Store the in a cool, dry, and well-ventilated area, out of the reach of children and away from ignition sources.



NOTE: STORE THE BATTERY PACK AND CHARGER in a cool, dry place. Do not store battery packs in locations where temperatures may exceed 50°C (120°F), such as in direct sunlight, inside vehicles, or metal buildings during summer.

1. Keep all nuts, bolts and screws tight to be sure the blower is in safe working condition.
2. If the parts are worn or damaged, replace them with parts provided by manufacturer.
3. When you stop the blower for inspection, servicing, storage, or changing accessories, turn off the blower and make sure that all moving parts come to a complete stop, and remove the battery cartridge. Cool down the blower before making any work on the blower. Maintain the blower with care and keep it clean.
4. Always cool down the blower before storing.

6. TROUBLE SHOOTING

Symptom	Possible Cause	Recommended Action
No power/Will not start	· Battery or charger issue	· Check the remaining battery power. · Clean the metal contacts between the battery and the device to remove oxidation or dirt. · Replace the charger or battery. If the issue persists, contact customer service.
Intermittent airflow	· Low battery · Vents clogged or blocked	· Check the remaining battery power; · Clear vents and tubes from leaves, dust, and other obstructions.
Shut down during operation	· Battery protection mechanism triggered · Circuit failure	· If the battery is overheated or the ambient temperature is too high, stop using it and restart it after the battery cools down; · Clean the motor vents to ensure normal heat dissipation; · Replace the charger or battery. If the issue persists, contact customer service.

If the unit still does not start, or if you experience any unusual mechanical issues, please contact Customer Support or return the product to your retailer. Please have the following information available:

- Model number
- Order number
- Description of the issue encountered
- Photos or videos, if applicable

7. Disposal and recycling



Do not dispose of electrical products or batteries in household waste. Recycle according to local regulations.

Preferred Living
PreferredLiving.com
2001 Sporty's Drive
Batavia, OH 45103